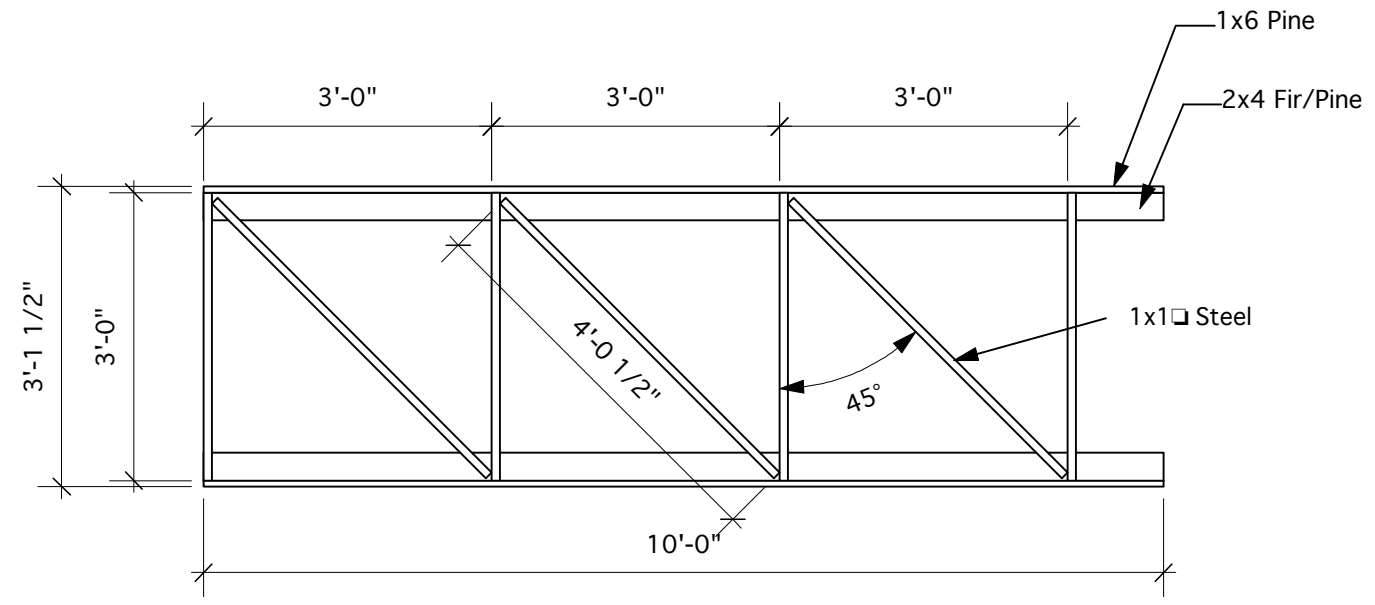
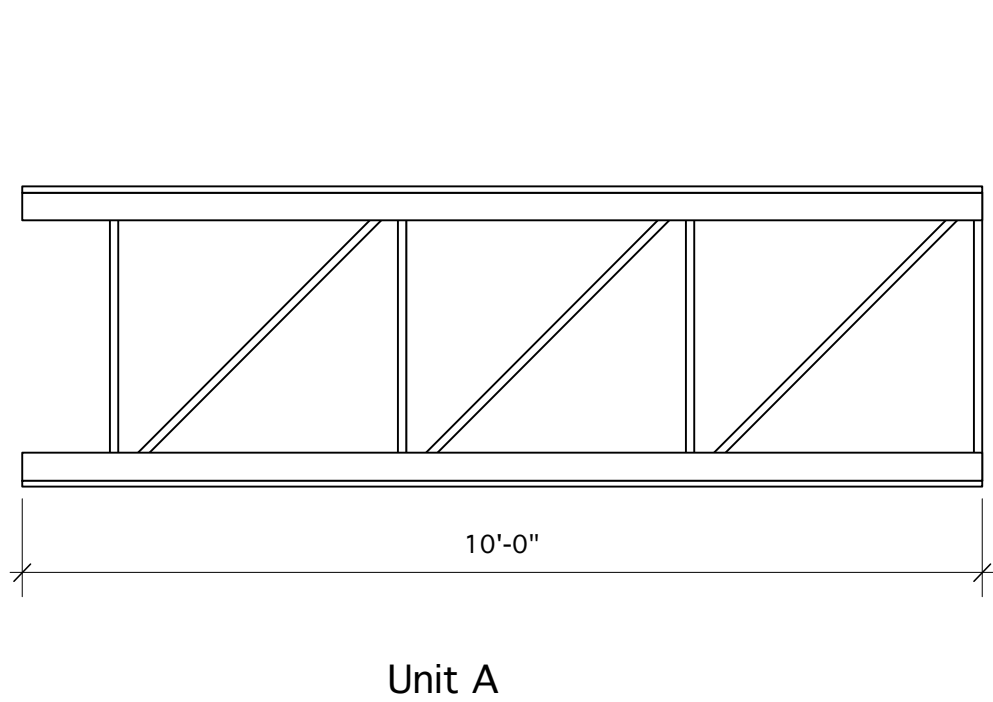


Section View (Typical)

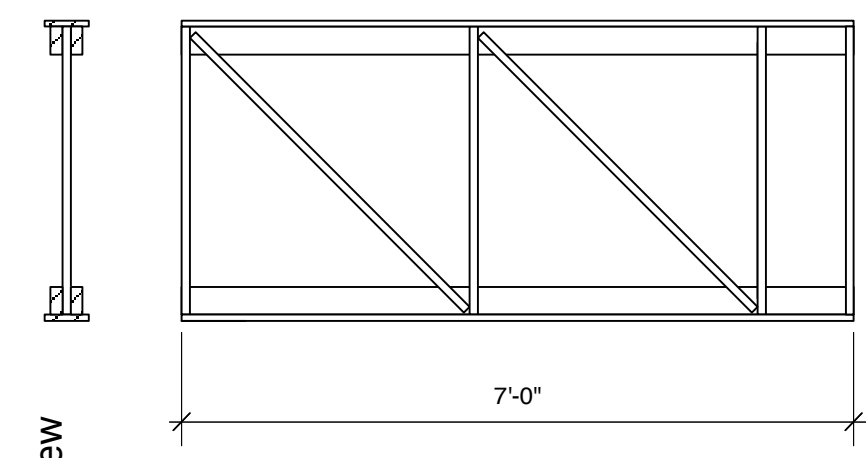
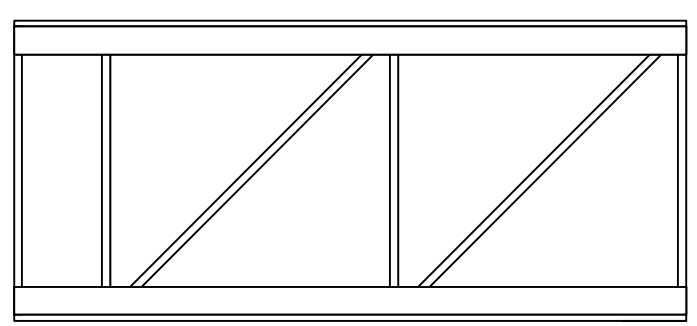


Shown with top 2x4's removed to detail internal 1x1 steel framing

Framing is typical to all units

**Steel Truss Unit Details**  
Scale: 1/2"=1'-0"

Select Straight Lumber for construction



Shown with top 2x4's removed to detail internal 1x1 steel framing

Framing is typical to all units

Section View (Typical)

Northfield Schools	Drawing
<i>Rock N Roll Revival 2015</i>	7 of 8
<b>Steel Truss Details</b>	
Scale: As Noted B. Bjorklund 11/11/14	